



DISPENSING SOLUTIONS

> PROGRESS 1000 R

✓ TECHNICAL SPECIFICATIONS

MAIN FEATURES

Construction	Frame: Galvanised Steel; Double Coated Painting
	Housing: Stainless Steel
	Panels: Aluminium; Double Coated Painting
Admission	Suction: High Performance Compact Gear Pump RTF Pressure: Submersible Pump
Meter	Positive Displacement Meter PTF, with Pulse Generator and Integrated Electronic Calibration
Filters	Reusable Stainless Steel, 100 µm mesh
Motor	Eexd, Single/ Three-Phase, 50/60 Hz w/ Internal Thermal Protection
Calculator	eMC ² Electronic Modular Calculator, 2nd Generation
Hose	Ø16, 19, 21, 25 mm (EN1360/EN13483) (VR2 Approved)
Nozzle	Automatic ZVA2 or Others
Fuel Types	Petrol Diesel Biodiesel Ethanol (E85) (1) AdBlue (1)
Flow Rates	10, 40, 80, 130 L/min Up to 1 Product / 2 Hoses
Certificates	ATEX; MID

(1) Only available with pressure pumps.

OPTIONS

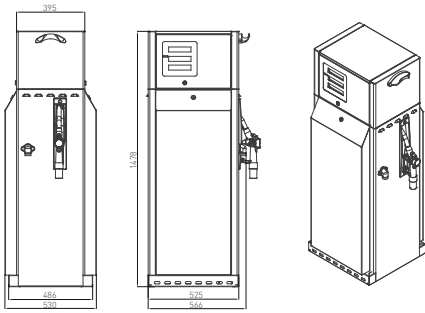
- Speed Selector (40/80 L/min)	- Automatic Temperature Compensation	- Flexible Riser Connection
- Electro-mechanical Totalizers	- Single/ Three-Phase Motor	- Stainless Steel AISI304 Image Panel
- Volume Preset	- AdBlue Hydraulic Housing Heating (ATEX)	- Stainless Steel AISI316
- Amount Preset	- AdBlue Hydraulic Housing Heating	- Foundation Frame
- Circuit Breaker	- Low Temperature Kit	- Custom Corporate Image
- Electronics Head Heating	- Satellite Ready (1 per side)	- Hose Mast
- Vapour Recovery Stage II *	- Breakaway Couplings	* Only available with suction pumps.
- Vapour Recovery w/Monitoring *	- Custom Nozzles and Sleeves	

COMMUNICATION PROTOCOLS/INTERFACES

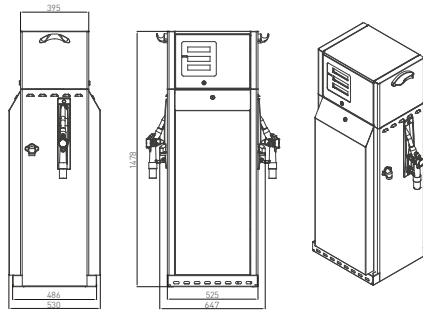
- Petrotec	- IFSF IP	- HDX 2WI (Gilbarco)
- EP55	- IFSF Lon v1.xx (Converter)	- DART
- Pulse Interface	- IFSF Lon v2.xx	- Dunclare
- ER3	- HDX 485 (Gilbarco)	- Pumalan

✓ AVAILABLE CONFIGURATIONS

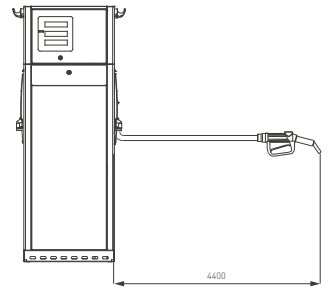
P1000 R - 1P1H - STANDARD HOSE BRACKET



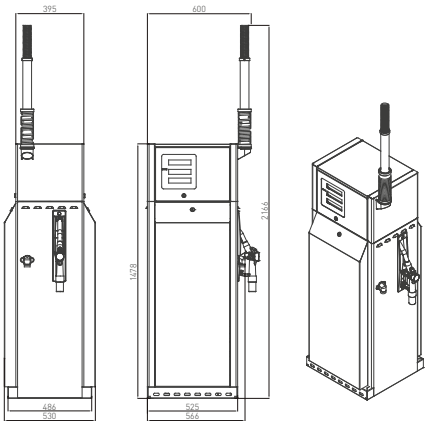
P1000 R - 1P2H - STANDARD HOSE BRACKET



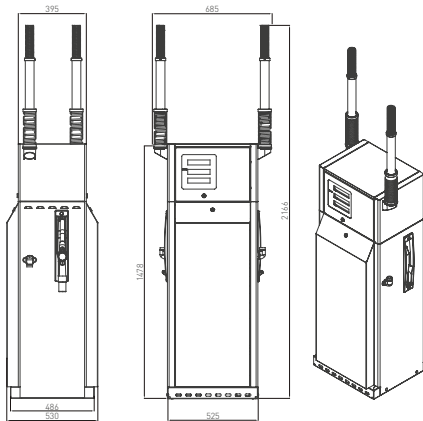
P1000 R - STANDARD HOSE LENGHT



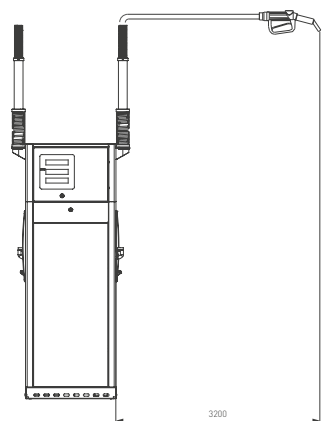
P1000 R - 1P1H - HOSE MAST



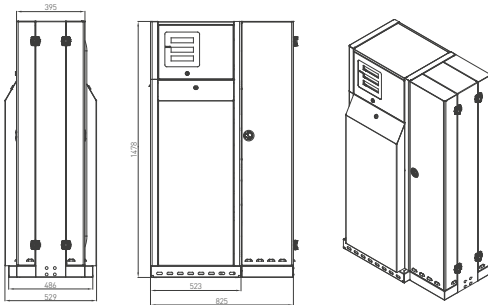
P1000 R - 1P2H - HOSE MAST



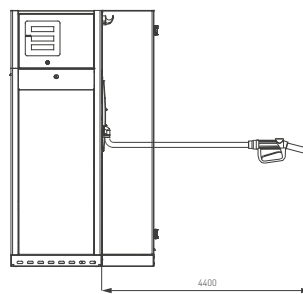
P1000 R - HOSE MAST LENGHT



P1000 R - 1P1H - AdBlue with heating



P1000 R - AdBlue HOSE LENGHT



Note: All dimensions are in mm.

MOD. I8PROGRESS1000R_12_2019

© 2018 Petrotec Group | All rights reserved. Petrotec, the Petrotec logo, Progress and combinations thereof are registered trademarks of Petrotec Group. Other names are informational and may be trademarks of their respective owners. Petrotec is continuously improving its products. Changes on the specifications may occur without prior notice. The imagery used may be indicative of style only. The available brochures are a guide and do not constitute an offer or contract.



Petrotec Official Distributor

