



DISPENSING SOLUTIONS > PROGRESS 2000

✓ TECHNICAL SPECIFICATIONS

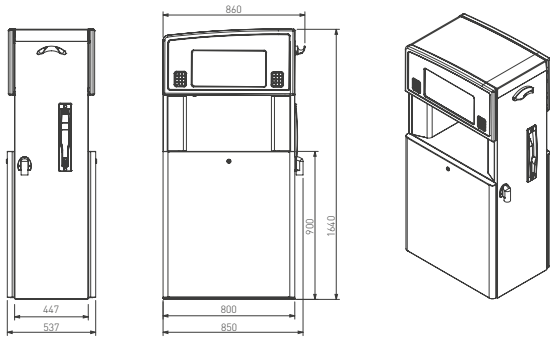
MAIN FEATURES	
Construction	Frame: Galvanised Steel; Double Coated Painting
	Housing: Stainless Steel
	Panels: Aluminium; Double Coated Painting
Admission	Suction: High Performance Compact Gear Pump RTF Pressure: Submersible Pump
Meter	Positive Displacement Meter PTF, with Pulse Generator and Integrated Electronic Calibration
Filters	Reusable Stainless Steel, 100 µm mesh
Motor	Eexd, Single/ Three-Phase, 50/60 Hz w/ Internal Thermal Protection
Calculator	eMC ² Electronic Modular Calculator, 2nd Generation
Hose	Ø16, 19, 21, 25, 32 mm (EN1360/EN13483) (VR2 Approved)
Nozzle	Automatic ZVA2 or Others
Fuel Types	Petrol Diesel Biodiesel Ethanol (E85)(1) LPG (1) AdBlue wo/heating (1)
Flow Rates	10, 40, 80, 130, 160, 200 L/min Up to 2 Products/2 Hoses
Certificates	ATEX; MID
(1) Only available with pressure version.	

OPTIONS		
- Speed Selector (40/80 L/min)	- Vapour Recovery Stage II	- Custom Nozzles and Sleeves
- Voice Module	- Vapour Recovery w/Monitoring	- Flexible Riser Connection
- Electro-mechanical Totalizers	- Automatic Temperature Compensation	- Stainless Steel AISI304 Image Panel
- Volume Preset	- Single/ Three-Phase Motor	- Stainless Steel AISI316
- Amount Preset	- Electronics Head Heating	- Foundation Frame
- Circuit Breaker	- Low Temperature Kit	- Custom Corporate Image
- Main Safety Switch (LPG)	- Satellite Ready (1 per side)	- Hose Mast (not available with LPG or 160-200 LPM)
- Electronics Head Heating	- Breakaway Couplings	- TAGs

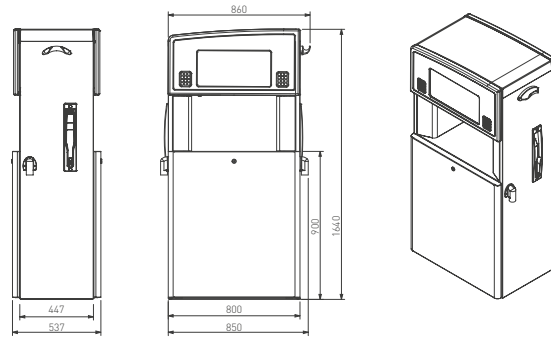
COMMUNICATION PROTOCOLS/INTERFACES		
- Petrotec	- IFSF IP	- HDX 2WI (Gilbarco)
- EP55	- IFSF Lon v1.xx (Converter)	- DART
- Pulse Interface	- IFSF Lon v2.xx	- Dunclare
- ER3	- HDX 485 (Gilbarco)	- Pumalan

✓ AVAILABLE CONFIGURATIONS

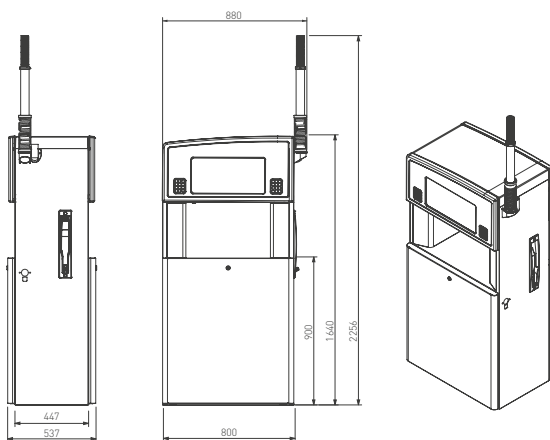
P2000 - 1P1H - STANDARD HOSE BRACKET



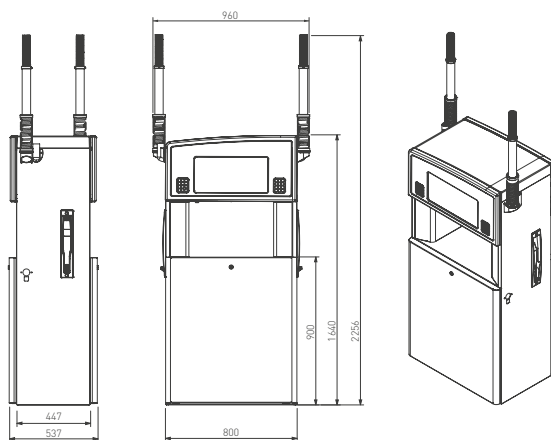
P2000 - 2P2H - STANDARD HOSE BRACKET



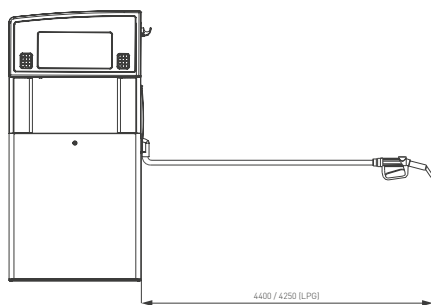
P2000 - 1P1H - HOSE MAST



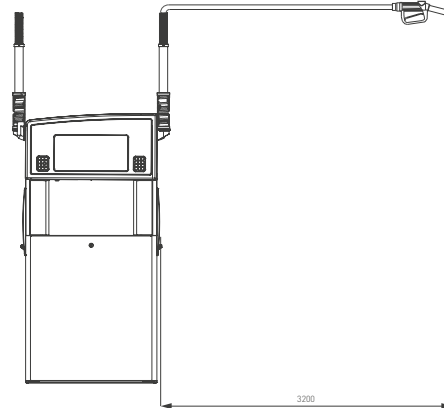
P2000 - 2P2H - HOSE MAST



P2000 - STANDARD HOSE LENGHT



P2000 - HOSE MAST LENGHT



Note: All dimensions are in mm.

MOD. IBPROGRESS200012.2019

© 2018 Petrotec Group | All rights reserved. Petrotec, the Petrotec logo, Progress and combinations thereof are registered trademarks of Petrotec Group. Other names are informational and may be trademarks of their respective owners. Petrotec is continuously improving its products. Changes on the specifications may occur without prior notice. The imagery used may be indicative of style only. The available brochures are a guide and do not constitute an offer or contract.



Petrotec Official Distributor

