



# DISPENSING SOLUTIONS > PROGRESS 5000 HH

## ✓ TECHNICAL SPECIFICATIONS

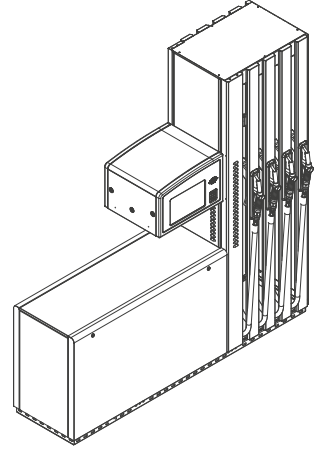
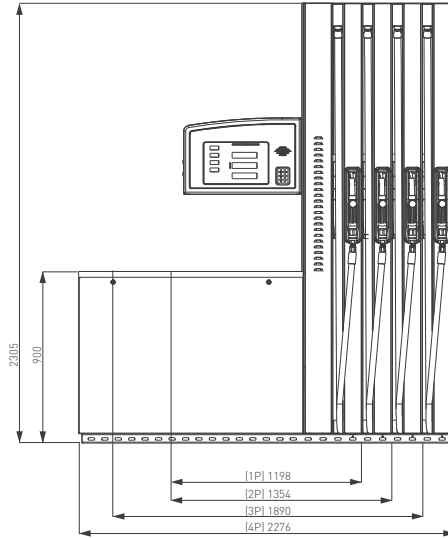
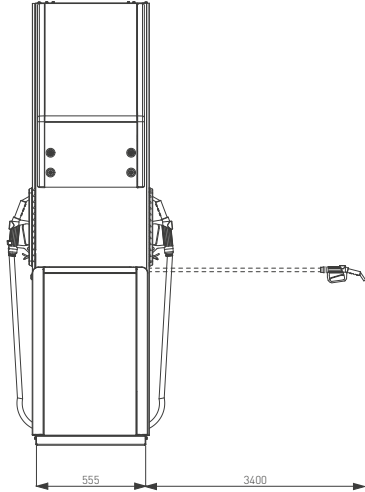
| MAIN FEATURES                             |                                                                                             |
|-------------------------------------------|---------------------------------------------------------------------------------------------|
| Construction                              | Frame: Galvanised Steel; Double Coated Painting                                             |
|                                           | Housing: Stainless Steel                                                                    |
|                                           | Panels: Aluminium; Double Coated Painting                                                   |
| Admission                                 | Suction: High Performance Compact Gear Pump RTF<br>Pressure: Submersible Pump               |
| Meter                                     | Positive Displacement Meter PTF, with Pulse Generator and Integrated Electronic Calibration |
| Filters                                   | Reusable Stainless Steel, 100 µm mesh                                                       |
| Motor                                     | Eexd, Single/ Three-phase, 50/60 Hz w/ Internal Thermal Protection                          |
| Calculator                                | eMC <sup>2</sup> Electronic Modular Calculator, 2nd Generation                              |
| Hose                                      | Ø16, 19, 21, 25 mm (EN1360/EN13483) (VR2 Approved)                                          |
| Nozzle                                    | Automatic ZVA2 or Others                                                                    |
| Fuel Types                                | Petrol   Diesel   Biodiesel   Ethanol (E85) (1)   AdBlue wo/heating (1)                     |
| Flow Rates                                | 10, 40, 80, 130 L/min   Up to 4 Products/8 Hoses                                            |
| Certificates                              | ATEX; MID                                                                                   |
| (1) Only available with pressure version. |                                                                                             |

| OPTIONS                         |                                      |                                               |
|---------------------------------|--------------------------------------|-----------------------------------------------|
| - Speed Selector (40/80 L/min)  | - Vapour Recovery w/Monitoring       | - Custom Nozzles and Sleeves                  |
| - Voice Module                  | - Automatic Temperature Compensation | - Flexible Riser Connection                   |
| - Electro-mechanical Totalizers | - Single/ Three-Phase Motor          | - Stainless Steel AISI304 Image Panel         |
| - Unit Price Display            | - TAGs                               | - Stainless Steel AISI316                     |
| - Volume Preset                 | - OPT (*)                            | - Foundation Frame                            |
| - Amount Preset                 | - Multimedia                         | - Custom Corporate Image                      |
| - Circuit Breaker               | - Low Temperature Kit                | - Lifting Solution (for easier handling)      |
| - Electronics Head Heating      | - Satellite Ready (1 per side)       | (*) Integration with wide range of terminals. |
| - Vapour Recovery Stage II      | - Breakaway Couplings                |                                               |

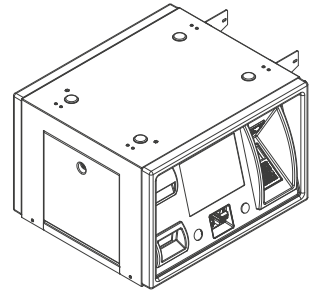
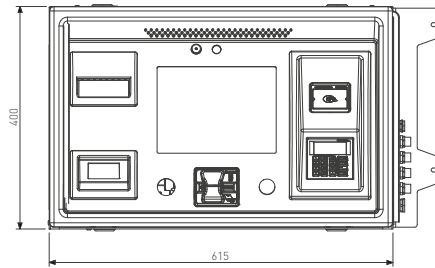
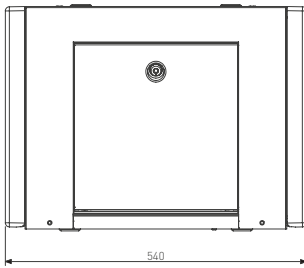
| COMMUNICATION PROTOCOLS/INTERFACES |                              |                      |
|------------------------------------|------------------------------|----------------------|
| - Petrotec                         | - IFSF IP                    | - HDX 2WI (Gilbarco) |
| - EP55                             | - IFSF Lon v1.xx (Converter) | - DART               |
| - Pulse Interface                  | - IFSF Lon v2.xx             | - Dunclare           |
| - ER3                              | - HDX 485 (Gilbarco)         | - Pumalan            |

# ✓ AVAILABLE CONFIGURATIONS

P5000 HH - 1P-2P-3P-4P



P5000 HH - OPT OPTION



Note: All dimensions are in mm.

MOD\_IBPROGRESS5000HH12\_2019

© 2018 Petrotec Group | All rights reserved. Petrotec, the Petrotec logo, Progress and combinations thereof are registered trademarks of Petrotec Group. Other names are informational and may be trademarks of their respective owners. Petrotec is continuously improving its products. Changes on the specifications may occur without prior notice. The imagery used may be indicative of style only. The available brochures are a guide and do not constitute an offer or contract.



Petrotec Official Distributor

